



7mm Remington Magnum

with 175-grain DeepCurl™ Soft Point

LABNOTES

The 7mm Remington Magnum moved to the “most popular cartridges” list almost immediately after its introduction in 1962. Years of positive articles by outdoor writers on wildcat and proprietary 7mm Magnums like the 7mm Mashburn, the 7mm Weatherby, and the 7x61 Sharpe & Hart had primed the public for an affordable 7mm Magnum. Remington made it happen with both the new cartridge and rifles chambered for it. The “Rem. Mag.” remained largely unchallenged until 2002, when the two 7mm “Short Mags” posted about the same performance as their much larger ancestor, largely due to a 4000-psi advantage over the pressure limit of the older cartridge

This cartridge is suitable for just about any non-dangerous game regardless of where you hunt. It excels at long shots in open country. Reloaders should plan on loading some of the slowest-burning propellants available, even with the lighter bullets. We recommend that Federal® 215 Magnum primers be used with all the loads shown here.

WARNING: Improper handloading practices can result in serious personal injury and/or property damage. Refer to the current Speer® Reloading Manual for handloading instructions. Be thoroughly familiar with those instructions before using these loads. As ATK has no control over individual handloading practices or the condition of firearms in which the resulting ammo may be used, we disclaim all liability for any damages that may result from the use of this information.

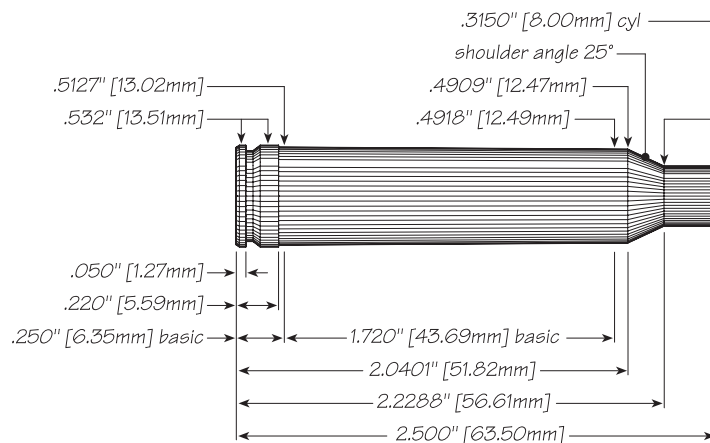
Speer, CCI, Federal, RCBS, Alliant, and Reloder are registered trademarks of ATK, Inc and its subsidiary companies.



0.284"	DeepCurl SP
Weight, grains	175
Ballistic Coefficient	0.496
Sectional Density	0.310
COAL Tested:	3.190"
Speer Part No.	1640

Propellant Make	Propellant Type	START CHARGE		MAXIMUM CHARGE	
		Weight, grs	Muzzle Velocity, ft/sec	Weight, grs	Muzzle Velocity, ft/sec
Western	Magnum	66.5	2651	70.5	2803
IMR	IMR 7828*	59.5	2557	63.5	2714
Alliant	PP4000*	55.0	2515	59.0	2681

Don't see your favorite propellant? Don't worry. We are currently in the process of rigorously analyzing additional load data and will post as soon as it becomes available.



Max. Case Length:	2.500"	Cart. Case:	Federal®
Trim-to Length:	2.490"	Primer:	Fed 215*
Max Cart. OAL:	3.290"	Test Firearm:	Universal Receiver
RCBS® Shell Holder:	#4	Barrel Length:	24"

Maximum Loads should be used with CAUTION • C = Compressed Load • * Magnum Primer used with this powder.