



338 Winchester Magnum

with 225-grain DeepCurl™ Soft Point

LABNOTES

The 338 Winchester Magnum was introduced in 1958 to bridge the performance gap between the 300 Magnums and the 375 H&H Magnum. It uses the H&H case shortened to 30-06 length so it will work smoothly in any standard long-action bolt rifle.

Loaded to the top velocities shown here, the 225-grain DeepCurl™ bullet in 338 Win. Mag. is appropriate for all North American large deer species as well as a wide variety of African plains game.

Retained energy remains high though velocities are modest. This means that tissue damage is kept to a minimum even as this cartridge/bullet combination posts energies past 100 yards equivalent to many 300 Win. Mag. loads at the muzzle. Meat hunters often fail to realize that bloodshot around a wound channel is primarily a function of velocity, not energy. A 225-grain 338-caliber bullet at 2800 feet per second will spoil less meat than a 180-grain 300 Mag. at 3000 fps.

Of course, DeepCurl penetration and weight retention are superb in this versatile cartridge, making it one of the best combinations you can carry regardless of your game pursuits.

WARNING: Improper handloading practices can result in serious personal injury and/or property damage. Refer to the current Speer® Reloading Manual for handloading instructions. Be thoroughly familiar with those instructions before using these loads. As ATK has no control over individual handloading practices or the condition of firearms in which the resulting ammo may be used, we disclaim all liability for any damages that may result from the use of this information.

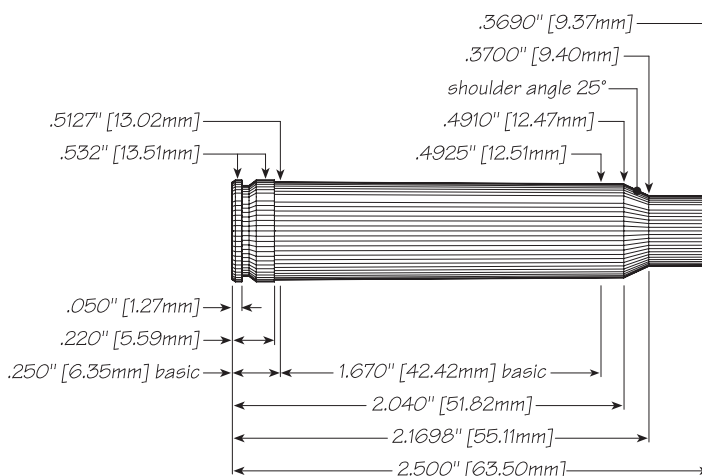
Speer, CCI, Federal, RCBS, Alliant, and Reloder are registered trademarks of ATK, Inc and its subsidiary companies.



0.338"	DeepCurl SP
Weight, grains	225
Ballistic Coefficient	0.491
Sectional Density	0.281
COAL Tested:	3.315"
Speer Part No.	2403

Propellant Make	Propellant Type	START CHARGE		MAXIMUM CHARGE	
		Weight, grs	Muzzle Velocity, ft/sec	Weight, grs	Muzzle Velocity, ft/sec
Alliant®	PP4000*	68.0	2667	72.0	2812
Alliant®	Reloder® 19*	70.0	2660	74.0	2802
Alliant®	Reloder® 17*	64.0	2612	68.0	2780
IMR	IMR 4350*	63.5	2564	67.5	2738
Alliant®	Reloder® 15*	56.5	2520	60.5	2670

Don't see your favorite propellant? Don't worry. We are currently in the process of rigorously analyzing additional load data and will post as soon as it becomes available.



Max. Case Length:	2.500"	Cart. Case:	Federal®
Trim-to Length:	2.490"	Primer:	Fed 215*
Max Cart. OAL:	3.340"	Test Firearm:	Universal Receiver
RCBS® Shell Holder:	#4	Barrel Length:	24"

Maximum Loads should be used with CAUTION • C = Compressed Load • * Magnum Primer used with this powder.