



(RIFLE)

30 M1 Carbine

with 110-grain DeepCurl® Round Nose

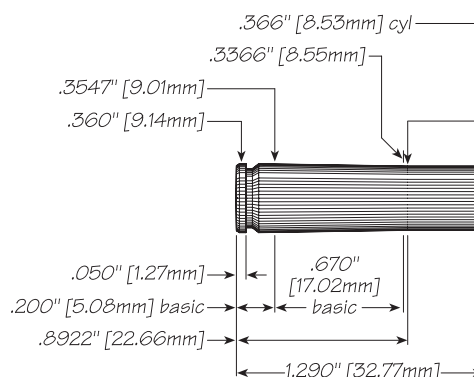
LABNOTES

For nearly 70 years, the 30-Carbine has been enjoyed by civilian shooters for the same attributes that drove its inception. Born of the need for a compact, light-weight rifle for specialized infantrymen, the resultant quick-handling carbine and light-recoiling cartridge has appeal for recreational shooters and small game hunters. Muzzle energy is somewhat less than that of a typical 44 Magnum load with a steep velocity drop and, as such, it should not be used on animals larger than coyote. The 110-grain DeepCurl® bullet shown here provides good penetration along with close-range expansion characteristics. It is also a fine bullet for general plinking with an ogive profile akin to the original military design; allowing for reliable feeding in the sometimes rough feed ramps of these carbines. Reference Speer Reloading Manual #14 for special load considerations specific to this cartridge.



0.308"	DeepCurl SP
Weight, grains	110
Ballistic Coefficient	0.136
Sectional Density	0.166
COAL Tested:	1.675
Speer Part No.	1844

Propellant Make	Propellant Type	START CHARGE		MAXIMUM CHARGE	
		Weight, grs	Muzzle Velocity, ft/sec	Weight, grs	Muzzle Velocity, ft/sec
Hodgdon	Lil' Gun*	13.4	1927	14.4	2031
Winchester	296*	13.0	1841	14.0	1974
Hodgdon	H110*	13.0	1839	14.0	1971
Ramshot	Enforcer	12.0	1782	13.0	1894
Alliant®	2400	11.0	1752	12.0	1868
VihtaVuori	Viht. N110	11.2	1742	12.2	1857
Accurate	AA No. 9	10.6	1717	11.6	1828



WARNING: Improper handloading practices can result in serious personal injury and/or property damage. Refer to the current Speer® Reloading Manual for handloading instructions. Be thoroughly familiar with those instructions before using these loads. As ATK has no control over individual handloading practices or the condition of firearms in which the resulting ammo may be used, we disclaim all liability for any damages that may result from the use of this information.

Speer, CCI, Federal, RCBS, Alliant, DeepCurl and Reloder are registered trademarks of ATK, Inc and its subsidiary companies.

Max. Case Length:	1.290"	Cart. Case:	Federal®
Trim-to Length:	1.285"	Primer:	CCI 400; No. 41
Max Cart. OAL:	1.680"	Test Firearm:	Universal Receiver
RCBS® Shell Holder:	#17	Barrel Length:	20"

Maximum Loads should be used with CAUTION • C = Compressed Load • * Magnum Primer used with this powder.