



30-30 Winchester

with 170-grain DeepCurl® Flat Nose Soft Point

LABNOTES

The 30-30 Winchester has maintained popularity in spite of an ever-increasing arsenal of newer and more powerful 30-caliber cartridges. Surprising to many, it is also widely reloaded.

The DeepCurl® 170-grain flat nose soft point was expressly engineered for the 30-30 cartridge and is a perfect all-around bullet for small to medium sized deer. All bullets handloaded for rifles having tubular magazines must have a flat, soft tip and a crimping cannelure for safety; This bullet, as well as the 150 grain DeepCurl, meet this requirement.

The velocities shown here were obtained in a 24-inch barrel. We have found that the 30-30 does not lose much velocity when fired in a 20-inch carbine. This is largely due to the 30-30's ability to handle relatively fast-burning propellants.

Although, the 30-30 is not a long-range cartridge, you will find that zeroing this bullet at 150 yards, when loaded to around 2150 feet per second, will put the bullet only 1.8 inches high at 100 yards. It will remain within an 8-inch vital zone to 200 yards, without holdover, using this site-in strategy.

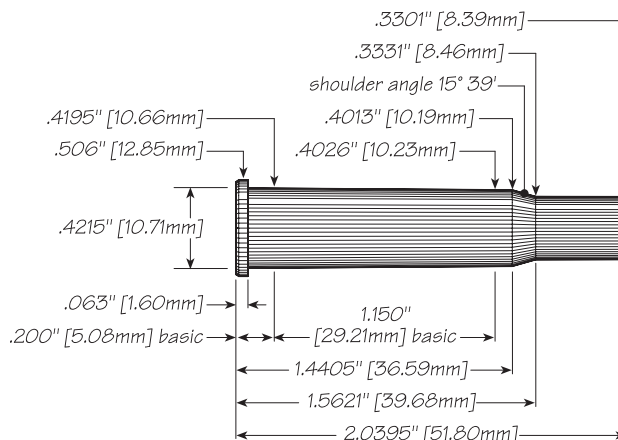
WARNING: Improper handloading practices can result in serious personal injury and/or property damage. Refer to the current Speer® Reloading Manual for handloading instructions. Be thoroughly familiar with those instructions before using these loads. As ATK has no control over individual handloading practices or the condition of firearms in which the resulting ammo may be used, we disclaim all liability for any damages that may result from the use of this information.

Speer, CCI, Federal, RCBS, Alliant, DeepCurl and Reloder are registered trademarks of ATK, Inc and its subsidiary companies.



0.308"	DeepCurl FNSP
Weight, grains	170
Ballistic Coefficient	0.304
Sectional Density	0.256
COAL Tested:	2.510"
Speer Part No.	2042

Propellant Make	Propellant Type	START CHARGE		MAXIMUM CHARGE	
		Weight, grs	Muzzle Velocity, ft/sec	Weight, grs	Muzzle Velocity, ft/sec
Ramshot	Big Game*	34.0	2035	38.0C	2197
Hodgdon	Varget	29.0	1897	33	2176
Alliant®	Reloder 15	28.0	1855	32.0C	2125
Winchester	748*	28.0	1876	32	2115
IMR	IMR 4895	27.0	1814	31	2105
VihtaVuori	Viht. N540	28.0	1793	32	2090
Alliant®	Reloder 10X	23.0	1755	27	2039
Accurate	AA 2460*	23.5	1668	28	1930



Max. Case Length:	2.040"	Cart. Case:	Winchester
Trim-to Length:	2.030"	Primer:	CCI® 200/250*
Max Cart. OAL:	2.550"	Test Firearm:	Universal Receiver
RCBS® Shell Holder:	#2	Barrel Length:	24"

Maximum Loads should be used with CAUTION • C = Compressed Load • * Magnum Primer used with this powder.