



# 22-250 Remington

with 43-grain TNT® Green™

## LABNOTES

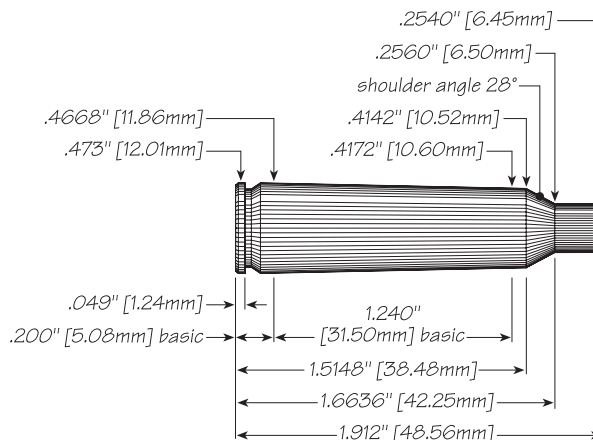
Varmint hunters using the 22-250 Remington now have a lead-free option in Speer's 22-caliber TNT® Green. Available in two weights—43 and 50 grains—TNT Green is perfect for the 22-250. Both bullets will stand up to the velocity potential of this popular cartridge.

Because the TNT Green bullet is longer than a conventional bullet of the same weight, it is important to follow the load recommendations below to maintain safe load levels. Do not load TNT Green bullets with charges recommended for similar lead-core bullets.



0.224"	TNT Green
Weight, grains	43
Ballistic Coefficient	0.138
Sectional Density	0.122
COAL Tested:	2.320"
Speer Part No.	1022

Propellant	START CHARGE		MAXIMUM CHARGE	
	Weight, grs	Muzzle Velocity, ft/sec	Weight, grs	Muzzle Velocity, ft/sec
Vih. N540	38.5	3976	<b>40.5</b>	4175
IMR 4895	38.0	3925	<b>40.0C</b>	4154
Reloder® 15	36.5	3909	<b>38.5</b>	4125
Varget	38.0	3951	<b>40.0C</b>	4121
Ramshot TAC	33.0	3809	<b>37.0</b>	4107
Reloder® 10X	32.0	3919	<b>34.0</b>	4077



<b>Max. Case Length:</b>	1.912"	<b>Cart. Case:</b>	Federal®
<b>Trim-to Length:</b>	1.902"	<b>Primer:</b>	Federal 210
<b>Max Cart. OAL:</b>	2.350"	<b>Test Firearm:</b>	Universal Receiver
<b>RCBS® Shell Holder:</b>	#3	<b>Barrel Length:</b>	24"

**WARNING:** Improper handloading practices can result in serious personal injury and/or property damage. Refer to the current SPEER® Reloading Manual for handloading instructions. Be thoroughly familiar with those instructions before using these loads. As ATK has no control over individual handloading practices or the condition of firearms in which the resulting ammo may be used, we disclaim all liability for any damages that may result from the use of this information.

Maximum Loads should be used with CAUTION • C = Compressed Load • \*Magnum Primer used with this powder.

Speer, Federal, RCBS, TNT and Reloder are registered trademarks of ATK, Inc and its subsidiary companies.